

For reference only. See data sheet for the detailed specifications.

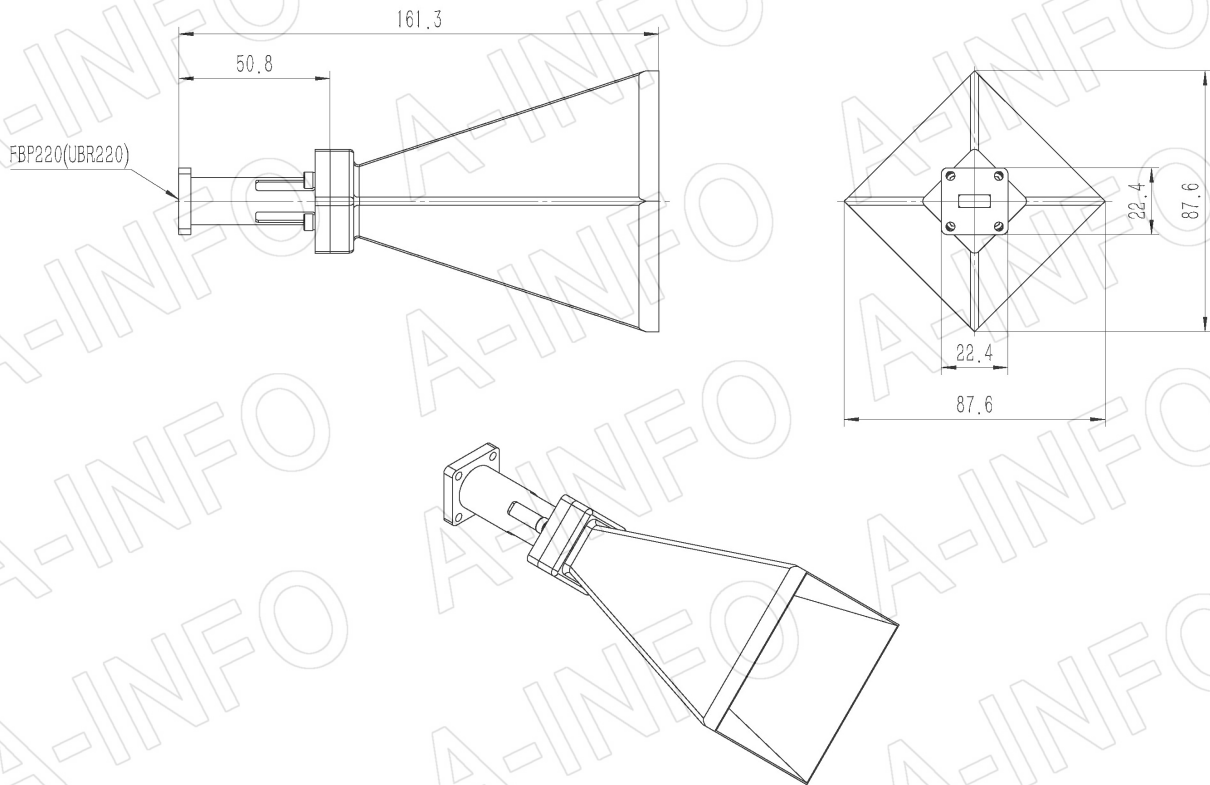
Technical Specification



Frequency Range(GHz)	18.0 – 26.5	
Waveguide	WR42	
Gain(dBi)	20 Typ.	
Polarization	Linear	
3dB Beamwidth(deg)	E Plane:	13 Typ.
	H Plane:	12 Typ.
Side Lobe Level(dB)	E Plane:	30 Min.
	H Plane:	30 Min.
Cross Pol. Isolation(dB)	40 Typ.	
VSWR	A Type:	1.20:1 Max.
	C Type:	1.50:1 Max.
Output	A Type:	FBP220(UBR220) SMA-Female
	C Type:	or 2.92mm-Female or 3.5mm-Female
Material	Al	
Finish	Gold Plated, Silver Plated and Chemical Conversion Coating, Gray Paint	
Size(mm)	A Type:	87.6 x 87.6 x 161.3
	C Type:	87.6 x 87.6 x 196.3
Net Weight(Kg)	A Type:	0.18 Around
	C Type:	0.25 Around

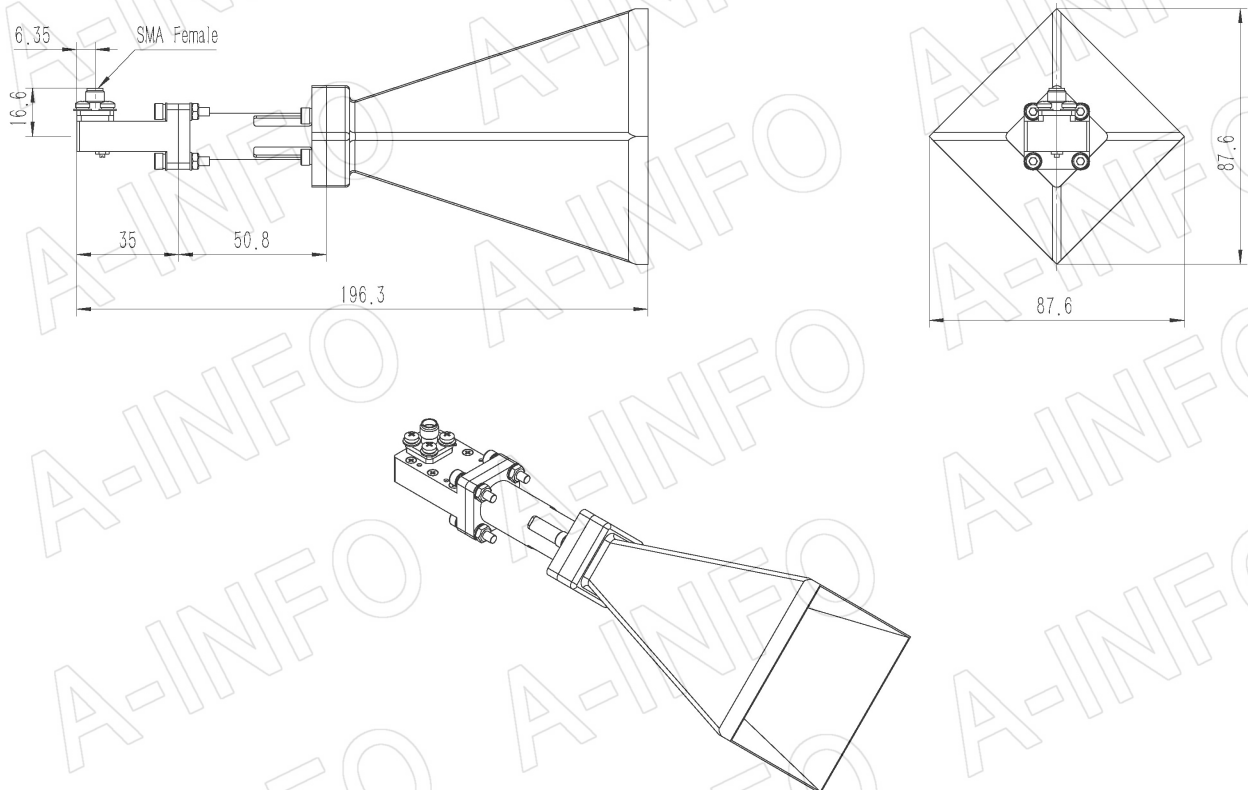
Outline Drawing (Size: mm)

FBP220 Output (P/N: LB-DG-42-20-A)

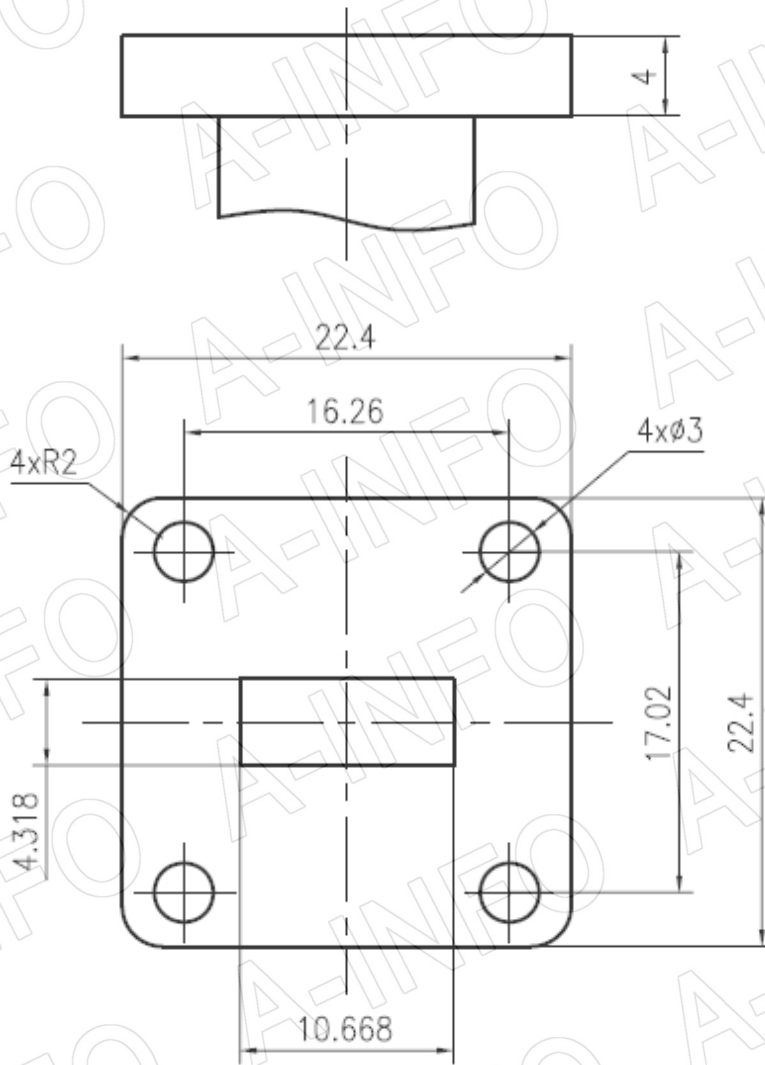


SMA-Female Output (P/N: LB-DG-42-20-C-SF)

For 2.92mm-Female or 3.5mm-Female output outline drawing, please contact A-INFO.



Flange Drawing (Size: mm)



FBP220

AINFO Inc.

China(Beijing): Tel: (+86) 10-6266-7326,
China(Chengdu): Tel: (+86) 28-8519-2786,
USA : Tel: (+1) 949-639-9688,

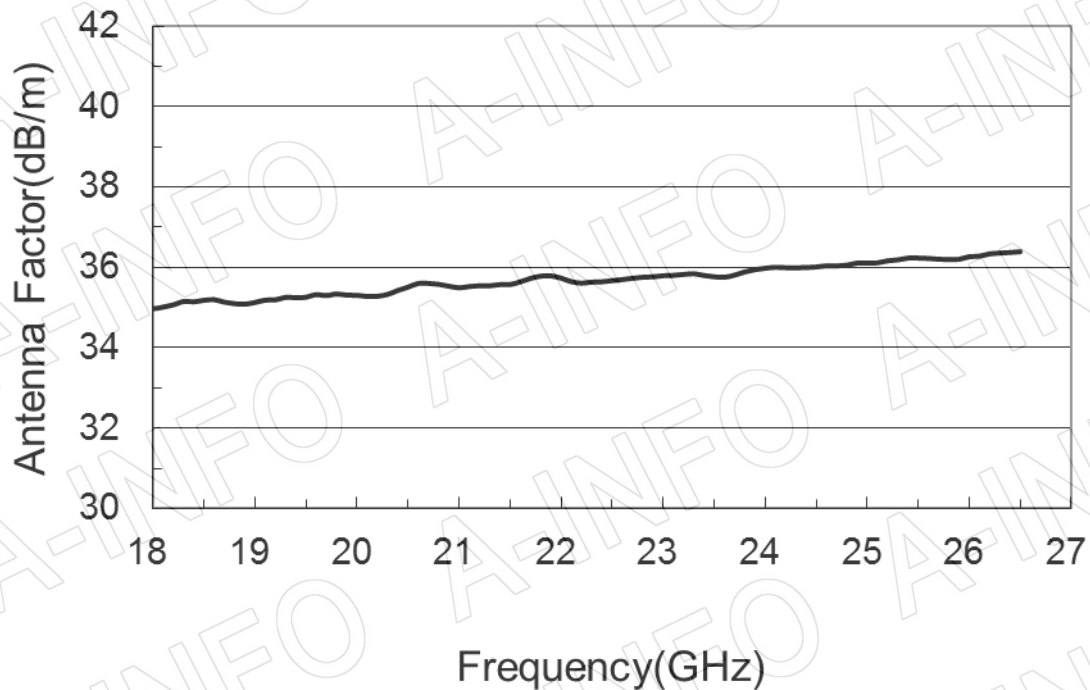
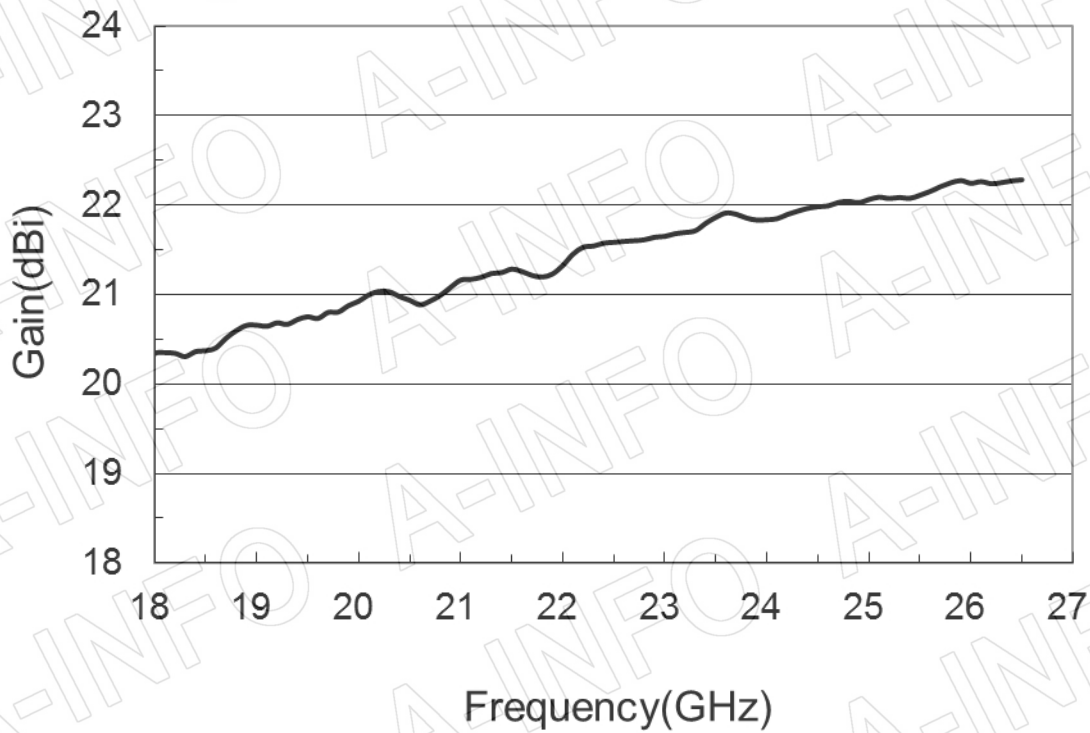
Page 3 of 8

(+86) 10-6266-7327 Fax: (+86) 10-6266-7379
(+86) 28-8519-3044 Fax: (+86) 28-8519-3068
(+1) 949-639-9608 Fax: (+1) 949-639-9670

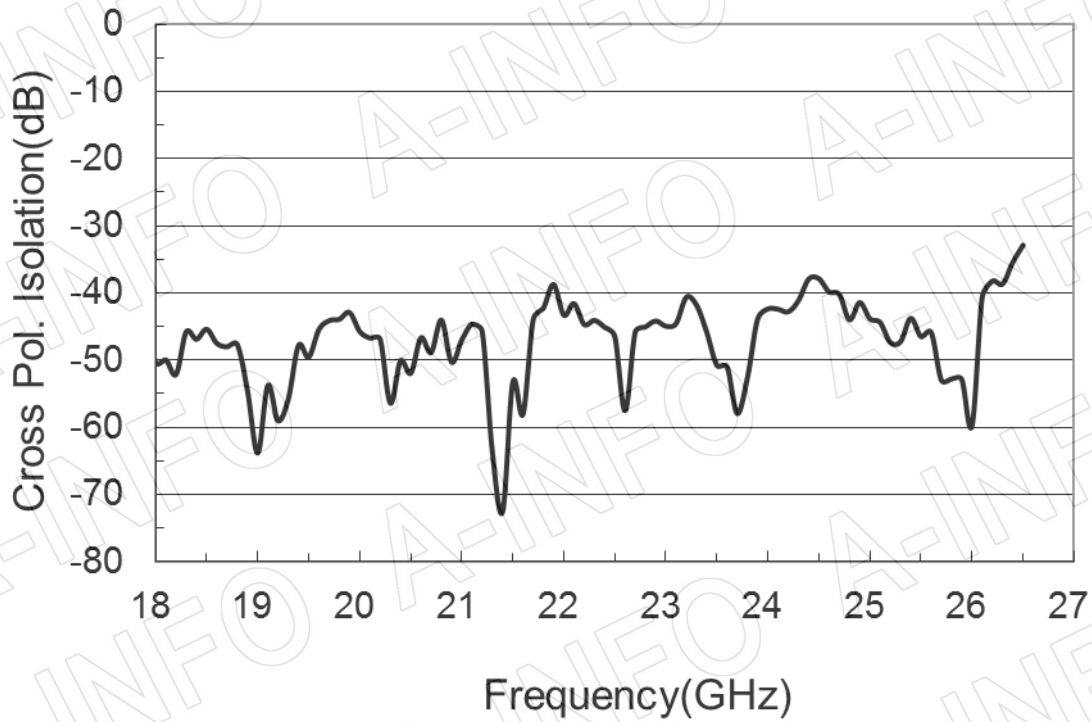
Website: www.ainfoinc.com
Email: sales@ainfoinc.com

Test Results

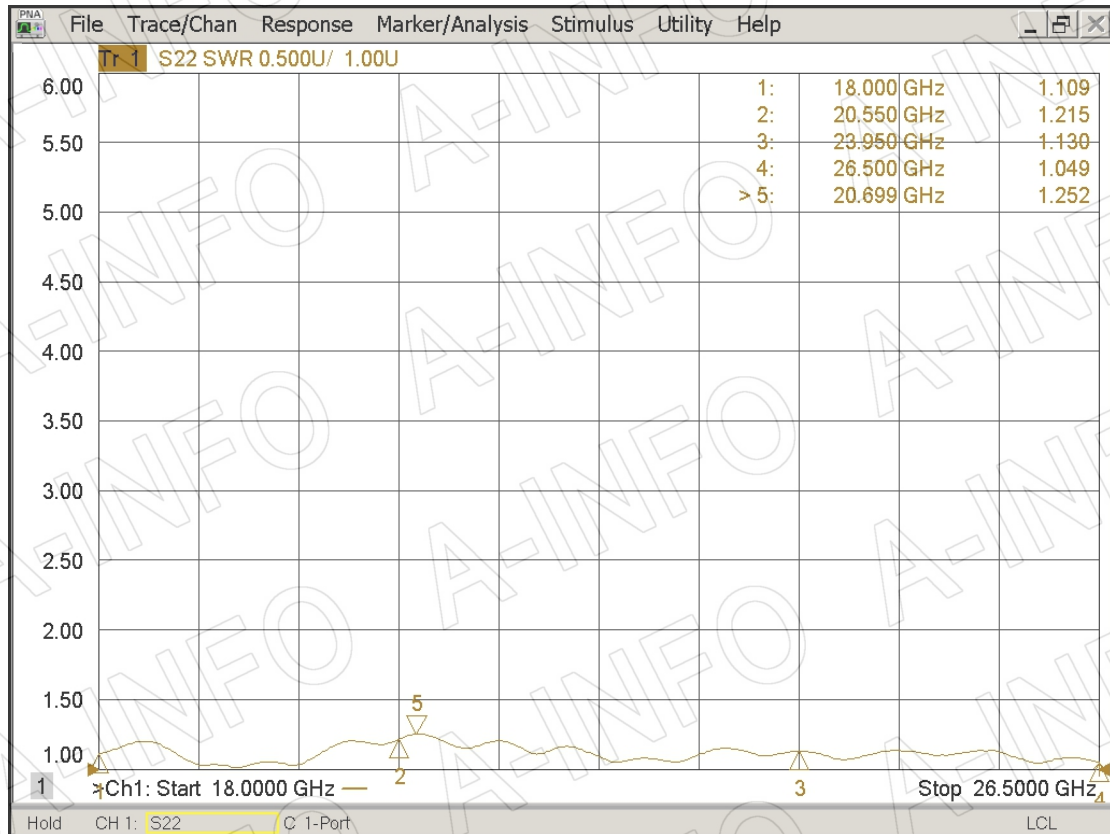
1. Gain & Antenna Factor



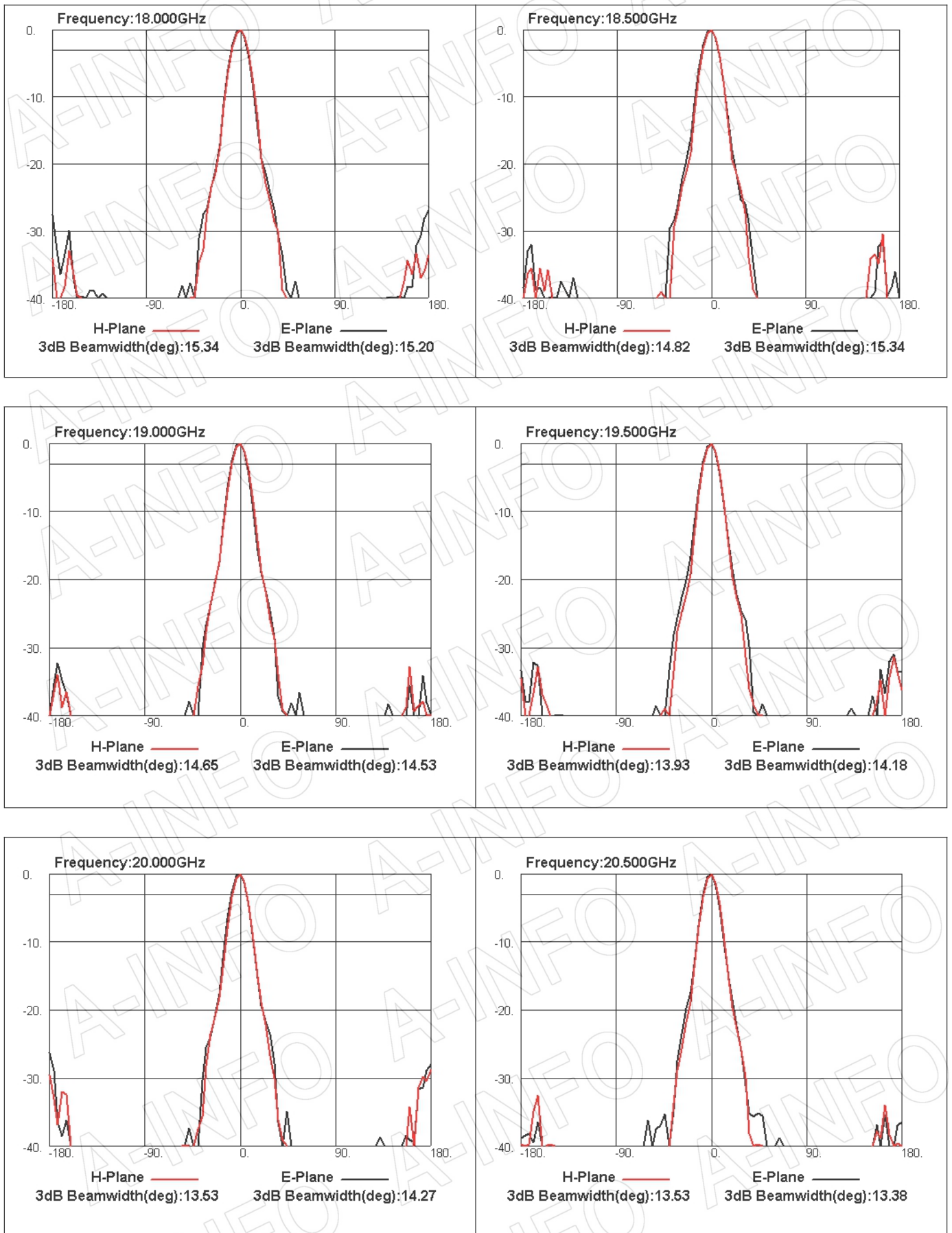
2. Cross Polarization Isolation



3. VSWR



4. Pattern



AINFO Inc.

China(Beijing): Tel: (+86) 10-6266-7326,
China(Chengdu): Tel: (+86) 28-8519-2786,
USA: Tel: (+1) 949-639-9688,

Page 6 of 8

(+86) 10-6266-7327
(+86) 28-8519-3044
(+1) 949-639-9608

Fax: (+86) 10-6266-7379
Fax: (+86) 28-8519-3068
Fax: (+1) 949-639-9670

Website: www.ainfoinc.com
Email: sales@ainfoinc.com

